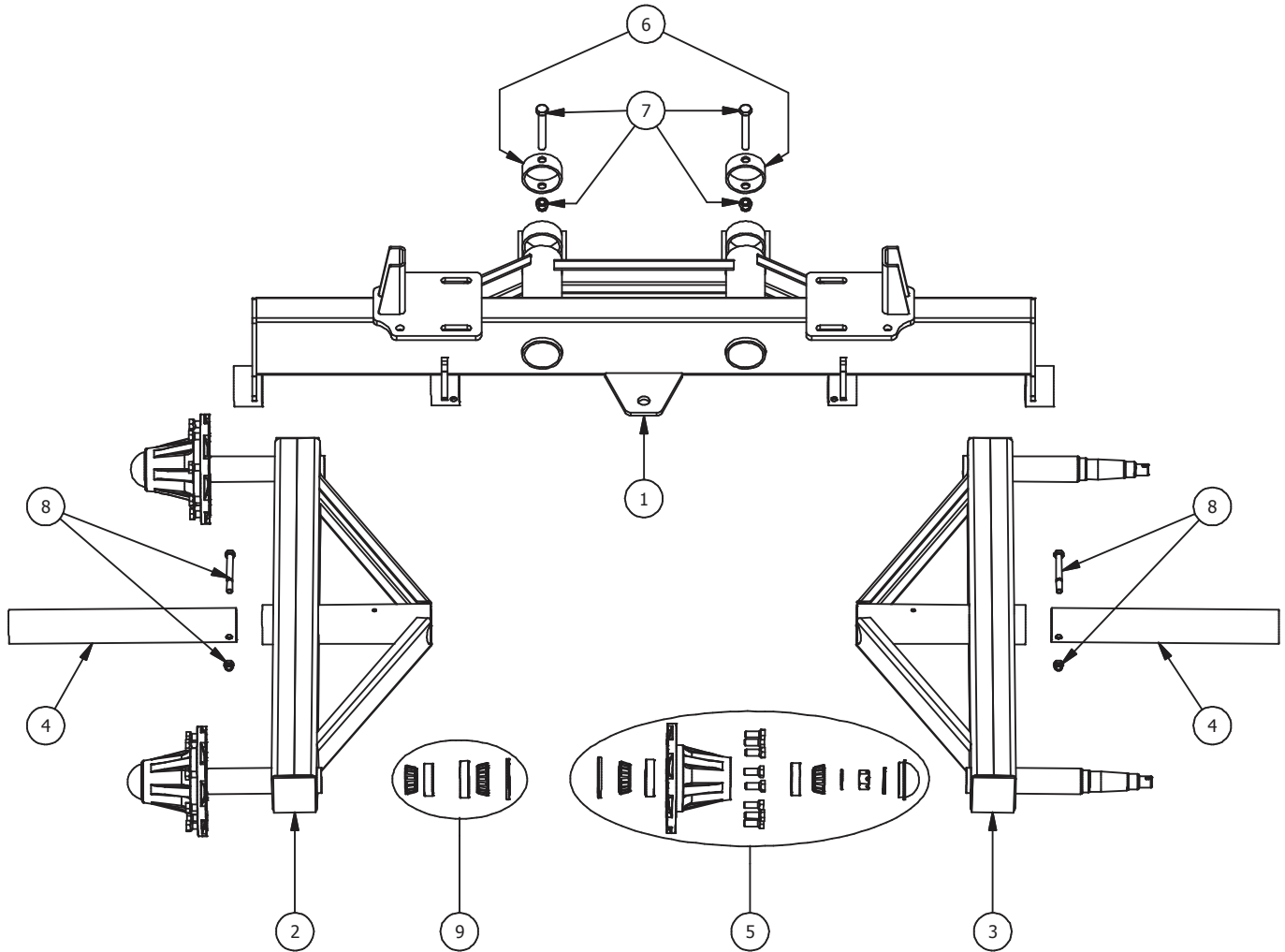


1998-2010

**HORST**  
WAGONS

MODEL 265 REAR AXLE ASSEMBLY

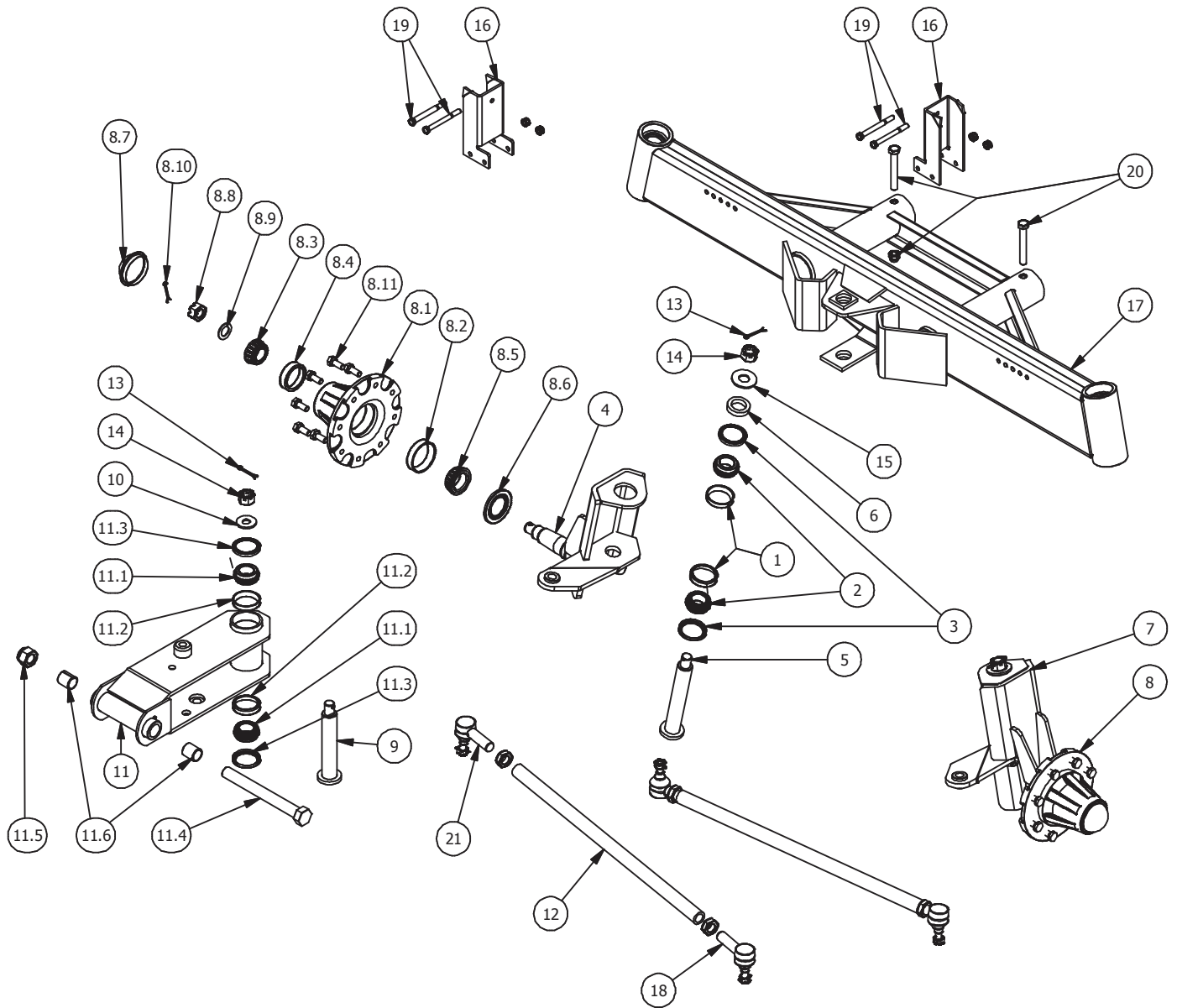


Parts List			
ITEM	QTY	PART NUMBERS	DESCRIPTION
1	1	WA-R265	265 Rear Axle Assembly (3x7 Beam)
2	1	WA-W265	Walking Beam c/w Parts (3,4,5,7)
3	2	22-1097	265 Walking Beam
4	2	22-1094	Walking Beam Slider (3x20)
5	4	33-1091	6500 Hub c/w Parts
6	2	22-1024	Retainer Ring
7	2	11-1025	5/8 x 4 1/2 Hex Bolt & Locknut
8	2	11-1095	1/2" x 4 1/2" Bolt & Nut
9	4	33-1558	Bearing & Seal Kit for 6000lb & 6500lb Hub

2006/2007/2008/2009/2010

# MODEL 205 Front Axle

# HORST WAGONS



2006/2007/2008/2009/2010  
**MODEL 205 Front Axle**



Complete 205 Front Axle Parts List			
ITEM	QTY	Part Number	DESCRIPTION
1	4	11-1009	Cup (13620)
2	4	11-1010	Cone (13686)
3	4	11-1011	Seal (CR20952)
4	1	11-1550	Front Spindle Assembly (Right)
5	2	22-1552	Spindle Pin Assembly
6	2	22-1529	Spacer Bushing (1.5" ID x 2.25" OD x .5")
7	1	11-1551	Front Spindle Assembly (Left)
8	2	33-1091	6500 Hub c/w Parts
8.1	1	11-1090	6500 Hub
8.2	1	11-1075	[Cup(25520)]
8.3	1	11-1077	[Cone(25877)]
8.4	1	11-1076	[Cup(25821)]
8.5	1	11-1074	[Cone(25590)]
8.6	1	11-1073	[Seal(CR20148)]
8.7	1	11-1078	Dust Cap (D-6000)
8.8	1	11-1051	1" Slotted Hex Nut (1-14)
8.9	1	11-1050	1" Washer (1-0)
8.10	1	11-1016	3/16 x 2 Cotter Pin
8.11	8	11-1049	Wheel Bolt (9/16 x 1-3/4)
9	1	22-1055	Timkin Bolt
10	1	11-1014	3/4 Washer A
11	1	22-1397	205 Tongue Bracket Assembly
11.1	2	11-1010	Cone (13686)
11.2	2	11-1009	Cup (13620)
11.3	2	11-1011	Seal (CR20952)
11.4	1	11-1059	1-1/8 x 10-3/8 Bolt Gr.2
11.5	1	11-1060	1-1/8 Lock Nut
11.6	2	11-1054	Bushing(1-3/8 x 1-1/8 x 1-1/2)
12	2	22-1394	205 Tie Rod (30")
13	3	11-1016	3/16 x 2 Cotter Pin
14	3	11-1081	1" Heavy Hex Slotted Nut
15	2	11-1376	1" Washer
16	2	22-1022	Stake Post
17	1	22-1636	Front Axle Assembly
18	2	11-1103	ES176XHD Rod End R Thread
19	4	11-1023	7/16 x 4 1/2 Bolt & Nut
20	2	11-1025	5/8 x 4 1/2 Hex Bolt & Locknut
21	2	11-1104	ES176XHD Rod End L Thread